

MVAH Series VCXO



- Industry Standard Footprint
- +2.5VDC, +3.3VDC, or +5.0VDC Supply Voltage
- HCMOS Output
- RoHS Compliant Available



Frequency Range	1.000MHZ TO 220.000MHZ		
Frequency Stability (Inclusive of Temp., Load and Voltage)	(See Part Number Guide for Options)		
Aging	±5ppm per year		
Operating Temp. Range	(See Part Number Guide for Options)		
Storage Temp. Range	-55°C to +125°C		
Supply Voltage (Vdd)	+2.5VDC ±10%	+3.3VDC ±10%	+5.0VDC ±10%
Supply Current	60mA max	60mA max	85mA max
Load	15pF	30pF	30pF
Control Voltage	1.25 VDC ±1.00 VDC	1.65 VDC ±1.50 VDC	2.50 VDC ±2.00 VDC
Output	HCMOS		
Logic "0"	10% Vdd max		
Logic "1"	90% Vdd min		
Symmetry (50% of waveform)	(See Part Number Guide for Options)		
Rise / Fall Time (10% to 90%)	10nSec max		
Start Time	10mSec max		
Linearity	(See Part Number Guide for Options)		
Pullability	(See Part Number Guide for Options)		

Environmental & Mechanical Detail

Shock	MIL-STD-883, Meth 2002, Cond B
Solderability	MIL-STD-883, Meth 2003
Vibration	MIL-STD-883, Meth 2007, Cond A
Reflow Solderability	260°C for 10 seconds
Gross Leak Test	MIL-STD-883, Meth 1014, Cond C
Fine Leak Test	MIL-STD-883, Meth 1014, Cond A

Marking Detail

Line 1 = MXXXXX		
M	=	MMD
XXXXX	=	Frequency in MHZ
Line 2 = SYWWL		
S	=	Internal Code
YYWW	=	4 Numerical Digit Date Code (Year / Week) Jan 27 2011=1105
L	=	Denotes RoHS Compliant
Line 3 = XXXXX		
Internal use only		
May vary with lots		
Black dot to denote Pin 1		

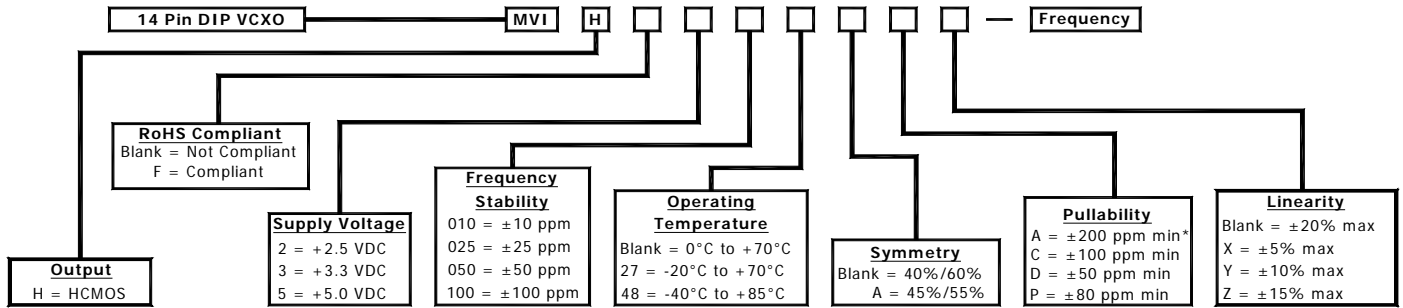


MMD Monitor/Quartztek
 30400 Esperanza, Rancho Santa Margarita, CA, 92688
 Phone: (949) 709-5075, Fax: (949) 709-3536, www.mmdcomp.com
 Sales@mmdcomp.com



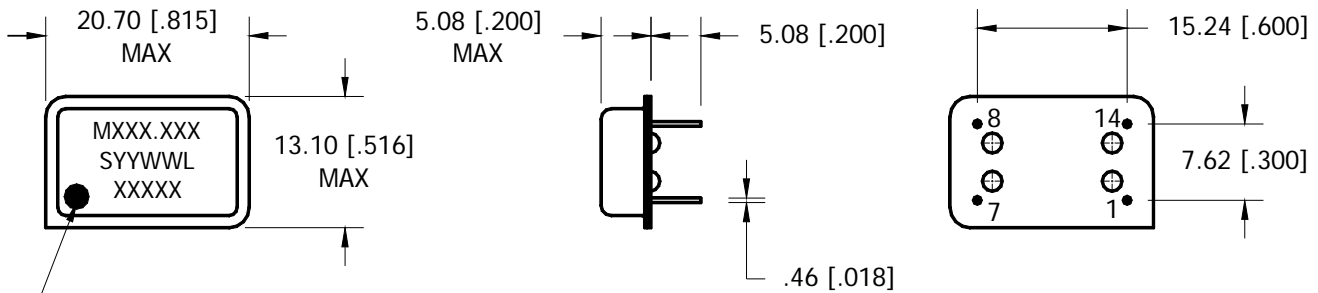
Revision: 08/30/11 F

Part Number Guide



Please Consult with MMD Sales Department for any other Parameters or Options
 *Not available with 2.5VDC 3.3VDC or option

Mechanical Details



Black Dot to Denote Pin 1

DIMENSIONS IN BRACKETS ARE IN INCHES
 EXTERNAL BYPASS CAPACITOR IS RECOMMENDED

PIN CONNECTIONS	
PIN 1	VOLTAGE CONTROL
PIN 7	GROUND
PIN 8	OUTPUT
PIN 14	SUPPLY VOLTAGE



MMD Monitor/Quartztek
 30400 Esperanza, Rancho Santa Margarita, CA, 92688
 Phone: (949) 709-5075, Fax: (949) 709-3536, www.mmdcomp.com
 Sales@mmdcomp.com

