

MQSC and MQST Series

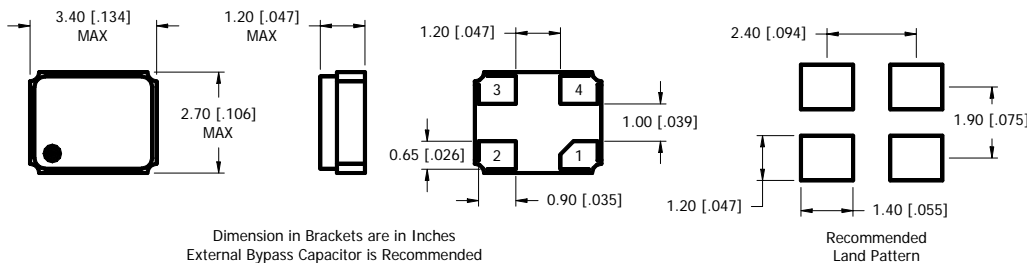


- Same Day Shipping Available
- 2.5mm x 3.2mm SMD Package
- RoHS Compliant
- Wide Frequency Range

ELECTRICAL SPECIFICATIONS:

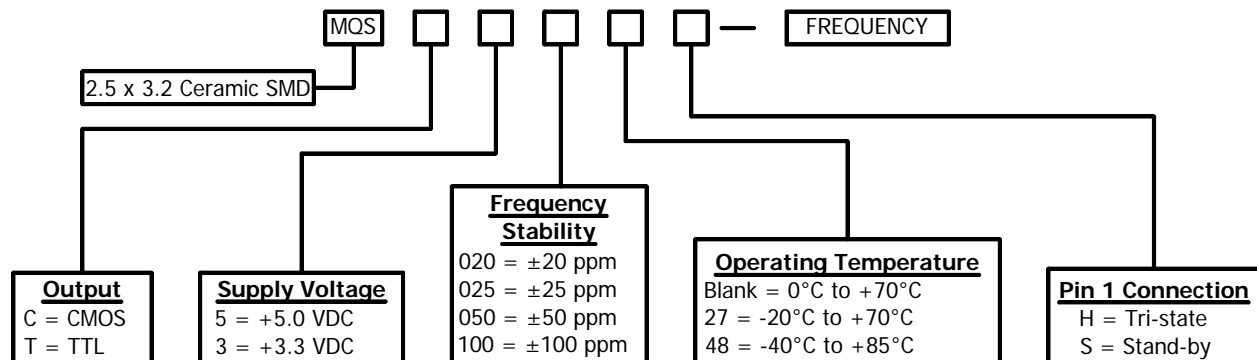
Frequency	1.000MHZ to 125.000MHZ			
Frequency Stability (Inclusive of Temperature, Load, Voltage, and Aging)	See Part Number Guide			
Aging @ =25°C	±5 ppm per year max			
Operating Temperature Range	See Part Number Guide			
Storage Temperature Range	-55°C to +125°C			
Output Waveform	TTL		CMOS	
Supply Voltage (Vdd)	+3.3 VDC ±10%	+5.0 VDC ±10%	+3.3 VDC ±10%	+5.0 VDC ±10%
Supply Current (unloaded)	25mA	45mA	25mA	45mA
Load	5TTL max		15pF max	
Logic "0"	0.4V max		0.1Vdd max	
Logic "1"	0.9 Vdd min		0.9 Vdd min	
Rise/Fall Time	4nSec max (0.4V to 2.4V)		4nSec max ((20% Vdd to 80 Vdd)	
Start Up Time	10mSec max			
Duty Cycle	40%/60% (TTL @ 1.4V Level / Cmos @ 50% Waveform)			

MECHANICAL DETAILS:



PIN CONNECTIONS	
PIN 1	TRI-STATE OR STAND-BY
PIN 2	GROUND
PIN 3	OUTPUT
PIN 4	SUPPLY VOLTAGE

PART NUMBERING GUIDE



PLEASE CONSULT WITH MMD SALES DEPARTMENT FOR ANY OTHER PARAMETERS OR OPTIONS

MMD Components, 30400 Esperanza, Rancho Santa Margarita, CA, 92688
 Phone: (949) 709-5075, Fax: (949) 709-3536, www.mmdcomp.com
 Sales@mmdcomp.com