

MKH Series

True Surface-Mount

MMD

COMPONENTS



- **Wide Frequency Range**
- **5.0 or 3.3 Volt**
- **HCMOS Output**
- **Output Enable Option**
- **Less than 1pSec RMS Jitter**

Electrical Specifications

Frequency Range		1.000MHz to 250.000MHz
Frequency Stability (Inclusive of Temperature, Load, Voltage, and Aging)		±100ppm to ±20ppm
Operating Temperature Range		0°C - 70°C to -40°C - 85°C
Storage Temperature Range		-55°C - 125°C
Supply Voltage (Vdd)		5.0Vdc ±5% or 3.3Vdc ±5%
Supply Current		TBD
Output Voltage	Logic "0"	0.1*Vdd max.
	Logic "1"	0.9*Vdd min.
Duty Cycle	50% of waveform	40%/60% max.
Load		10K Ohms // 50pF
Rise / Fall Time	20% to 80% of waveform	2nSec max.
Jitter	RMS (12KHz to 20MHz)	1pSec max.

Notes

www.mmdcomp.com

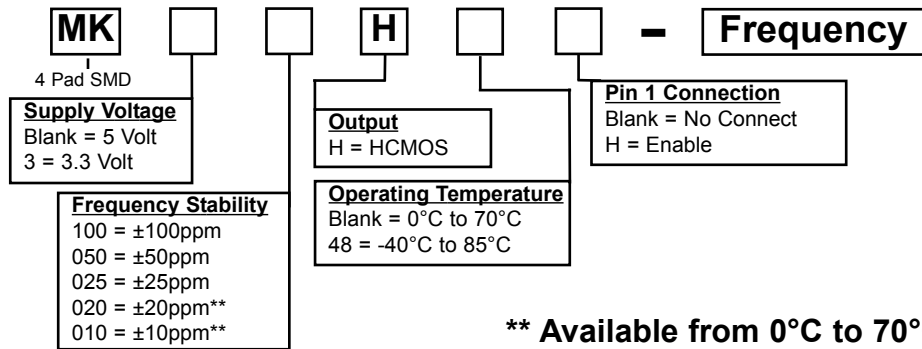
Toll Free 1-877-663-2667 / Fax: 949-753-5889

OS13

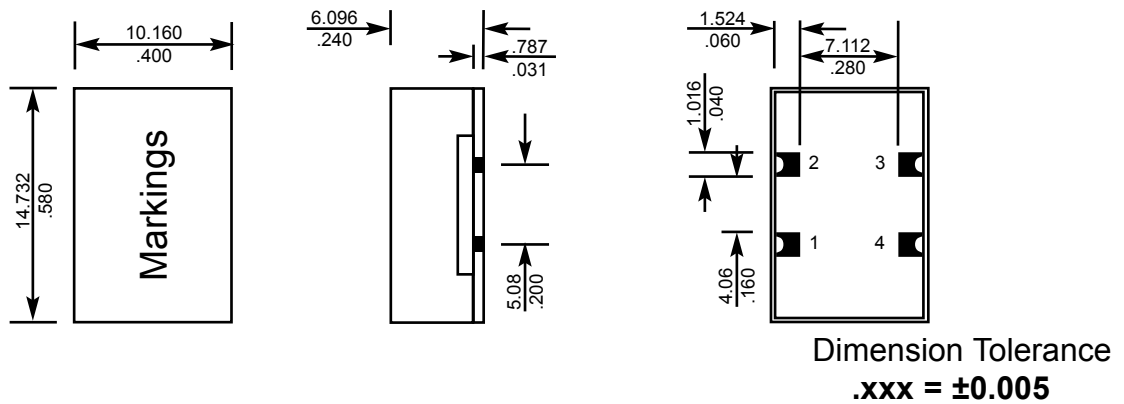
Specifications subject to change without notice

Revision: 5/21/03 C

Part Numbering Guide



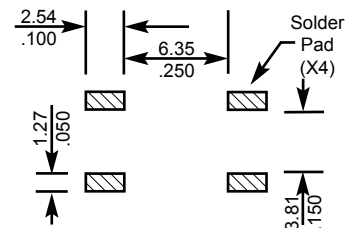
Mechanical Dimensions



Pad Connections

- Pin 1: No Connect or Enable
- Pin 2: Case Ground
- Pin 3: Output
- Pin 4: Supply Voltage

Suggested Solder Pad Layout



Markings

- Line 1: MMD
- Line 2: Part Number
- Line 3: Frequency
- Line 4: Date Code /SN