

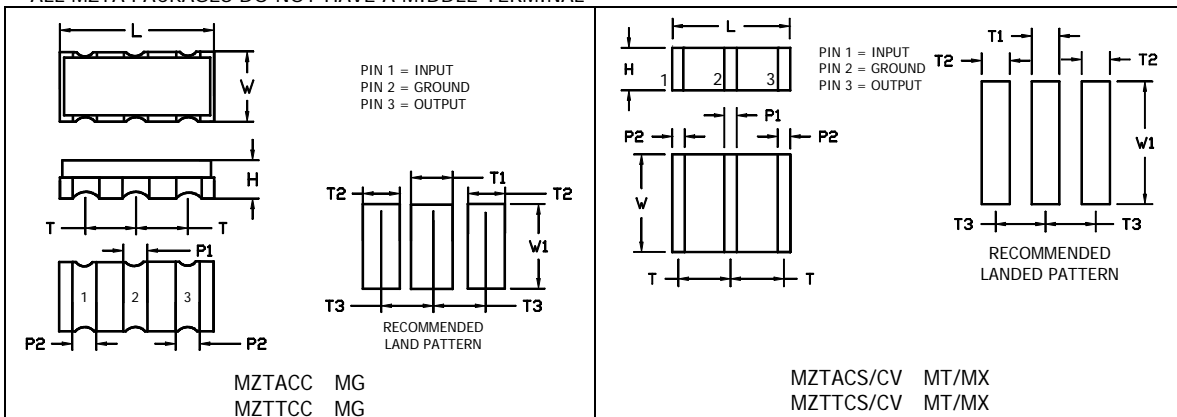
MZTACC/CS/CV MG/MT/MX CERAMIC RESONATOR
MZTTCC/CS/CV MG/MT/MX CERAMIC RESONATOR

2.00 MHz TO 50.00 MHz

= Frequency in MHz
 Technical Characteristics

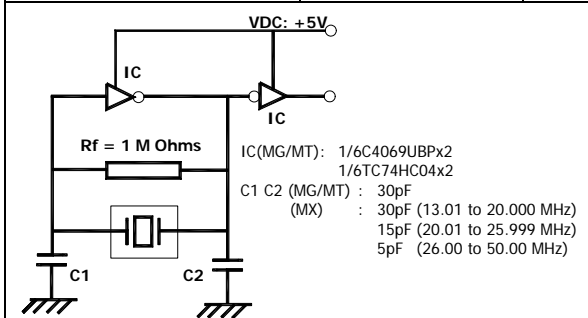
Part Number = MHz	Frequency Range	Frequency Accuracy	Temperature Stability (-40°C to +125°C)	Aging for 10 Years
*MZTACC MG MZTTCC MG	2.00 MHz to 8.00 MHz	±0.5%	±0.3%	±0.3%
*MZTACS/CV MT MZTTCS/CV MT	7.00 MHz to 13.00 MHz	±0.5%	±0.4%	±0.3%
*MZTACS MX MZTTCS MX	13.01 MHz to 50.00 MHz	±0.5%	±0.3%	±0.3%
*MZTACV MX MZTTCV MX	16.00 MHz to 50.00 MHz	±0.5%	±0.3%	±0.3%

*ALL MZTA PACKAGES DO NOT HAVE A MIDDLE TERMINAL

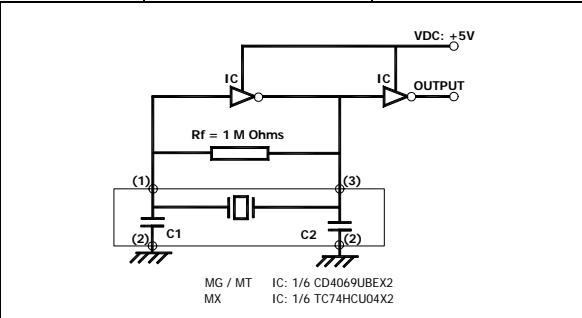


PART NUMBER = MHz	MECHANICAL DIMENSIONS					
	L	W	H	P1	P2	T
MZTA/MZZTCC MG	7.4±0.2	3.4±0.2	2.8 MAX	1.2±0.2	1.2±0.2	2.5±0.2
MZTA/MZTTCS MT/MX	4.7±0.2	4.1±0.2	2.2 MAX	1.0±0.2	0.8±0.2	1.95±0.2
MZTA/MZTTCV MT/MX	3.7±0.2	3.1±0.2	3.0 MAX	0.9±0.2	0.7±0.2	1.5±0.2

PART NUMBER	LAND PATTERN DIMENSIONS			
	T1	T2	T3	W1
MZTA/MZZTCC MG	1.5±0.3	1.7±0.2	2.5±0.3	4.0±0.3
MZTA/MZTTCS MT/MX	1.3±0.2	0.8±0.2	1.95±0.2	5.1±0.2
MZTA/MZTTCV MT/MX	1.0±0.2	0.7±0.2	1.5±0.2	4.1±0.2



SCHEMATIC DIAGRAM FOR ALL MZTA PACKAGES



SCHEMATIC DIAGRAM FOR ALL MZTT PACKAGES

MMD Components, 30400 Esperanza, Rancho Santa Margarita, CA, 92688
 Phone: (949) 709-5075, Fax: (949) 709-3536, www.mmdcomponents.com
 Sales@mmdcomp.com