

# MQTC and MQTT Series

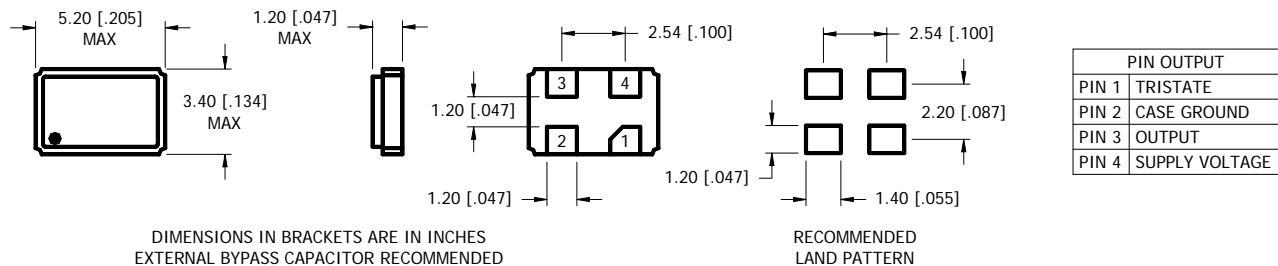


- Same Day Shipping Available
- 3.2 x 5.0 Ceramic SMD
- RoHS Compliant
- Wide Frequency Range

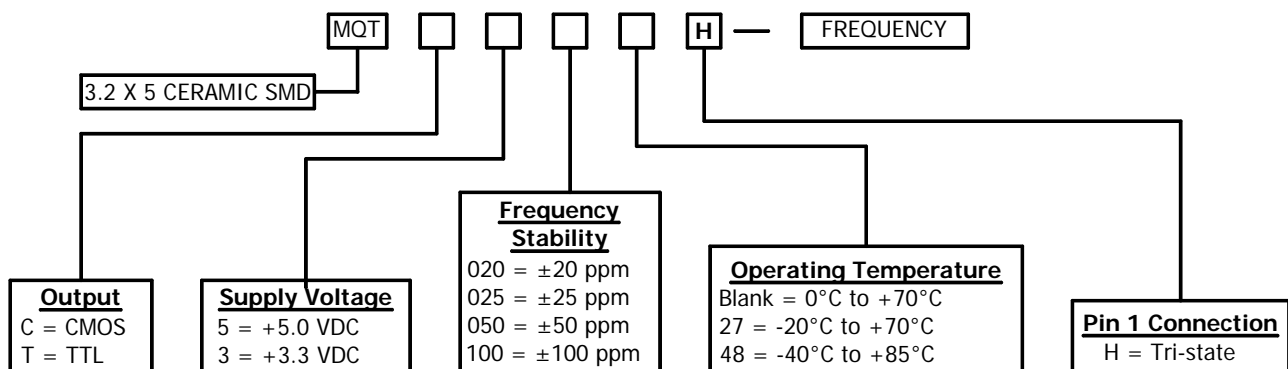
## ELECTRICAL SPECIFICATIONS:

Frequency	1.000MHZ to 125.000MHZ			
Frequency Stability (Inclusive of Temperature, Load, Voltage, and Aging)	See Part Number Guide			
Aging @ +25°C	±5 ppm per year max			
Operating Temperature Range	See Part Number Guide			
Storage Temperature Range	-55°C to +125°C			
Output Waveform	TTL		CMOS	
Supply Voltage (Vdd)	+3.3 VDC ±10%	+5.0 VDC ±10%	+3.3 VDC ±10%	+5.0 VDC ±10%
Supply Current	1.000MHZ to 40.000MHZ	15mA max	25mA max	15mA max
	40.100MHZ to 70.000MHZ	22mA max	40mA max	22mA max
	70.100MHZ and above	30mA max	50mA max	30mA max
Load	5TTL or 30pF	10 TTL or 50pF	15pF	30pF
Logic "0"	0.4V max		10% Vdd max	
Logic "1"	2.4 V min		90% Vdd min	
Rise/Fall Time	5nSec max @ 3.3 VDC / 7nSec max 5.0 VDC			
Start Up Time	10mSec max			
Duty Cycle	1.000MHZ to 70.000MHZ	45%/55% (TTL @ 1.4V Level / Cmos @ 50% Waveform)		
	70.100MHZ and above	40%/60% (TTL @ 1.4V Level / Cmos @ 50% Waveform)		
Jitter	25pS (p-p)			

## MECHANICAL DETAILS:



## PART NUMBERING GUIDE:



PLEASE CONSULT WITH MMD SALES DEPARTMENT FOR ANY OTHER PARAMETERS OR OPTIONS

**MMD Components**, 30400 Esperanza, Rancho Santa Margarita, CA, 92688  
 Phone: (949) 709-5075, Fax: (949) 709-3536, [www.mmdcomp.com](http://www.mmdcomp.com)  
 Sales@mmdcomp.com