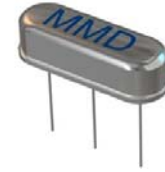


MCH Series



- Thru-Hole Package
- HC-49/US Style
- 5 Volts or 3.3 Volts
- HCMOS Output

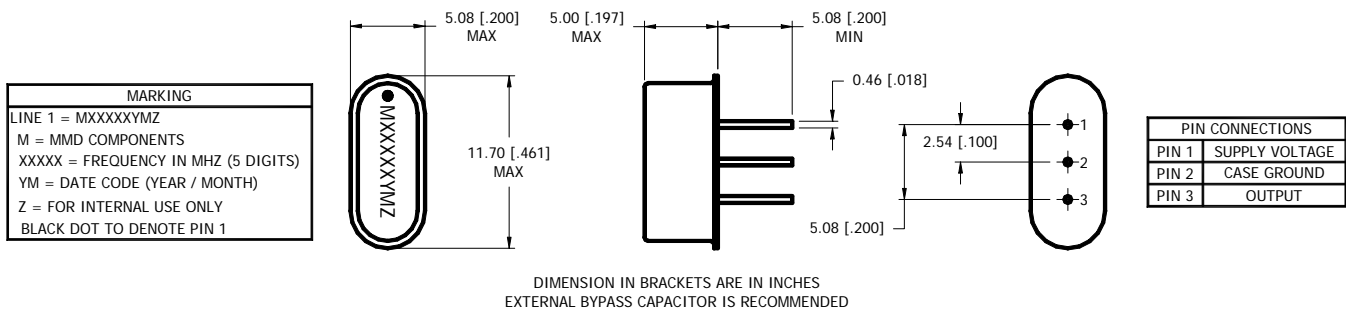


ELECTRICAL SPECIFICATIONS:

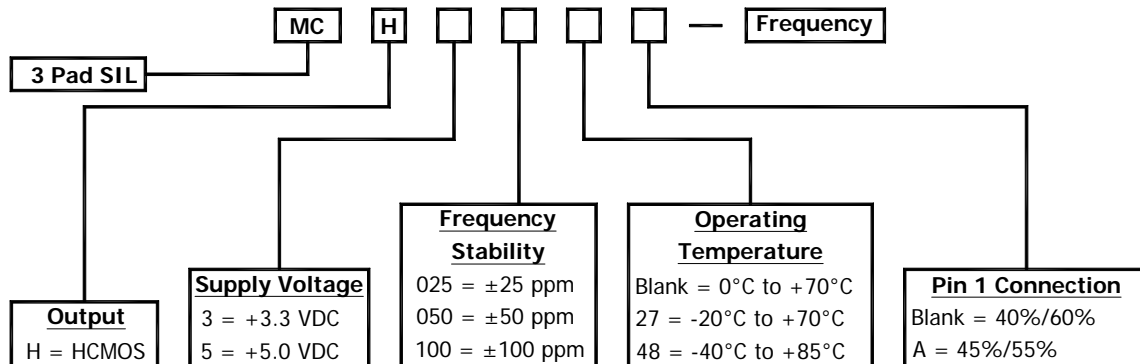
Frequency Range	1.250MHZ to 60.000MHZ	
Temperature Stability*	(See Part Number Guide for Options)	
Aging (+25°C ±3°C)	±5ppm for first year	
Operating Temperature Range	(See Part Number Guide for Options)	
Storage Temperature Range	-40°C to +85°C	
Supply Voltage (Vdd)	+3.30 VDC ±10%	+5.00 VDC ±10%
Supply Current	25mA	35mA
Output Type	HCMOS	
Symmetry (50% of waveform)	(See Part Number Guide for Options)	
Logic "0"	10% of Vdd max	
Logic "1"	90% of Vdd min	
Rise/Fall Time (10% to 90% of Vdd)	1.250MHZ to 24.999MHZ	10nSec max
	25.000MHZ to 60.000MHZ	8nSec max
Load	30pF max	10 TTL Gates or 50pF max
Start-up Time	10mSec max	

* Inclusive of Temperature., Load, Voltage and Aging

MECHANICAL DIMENSIONS:



PART NUMBER GUIDE:



Please Consult with MMD Sales Department for any other Parameters or Options

MMD Components, 30400 Esperanza, Rancho Santa Margarita, CA, 92688
Phone: (949) 709-5075, Fax: (949) 709-3536, www.mmdcomp.com
Sales@mmdcomp.com